

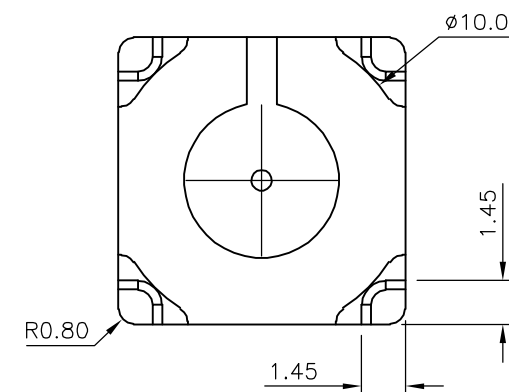
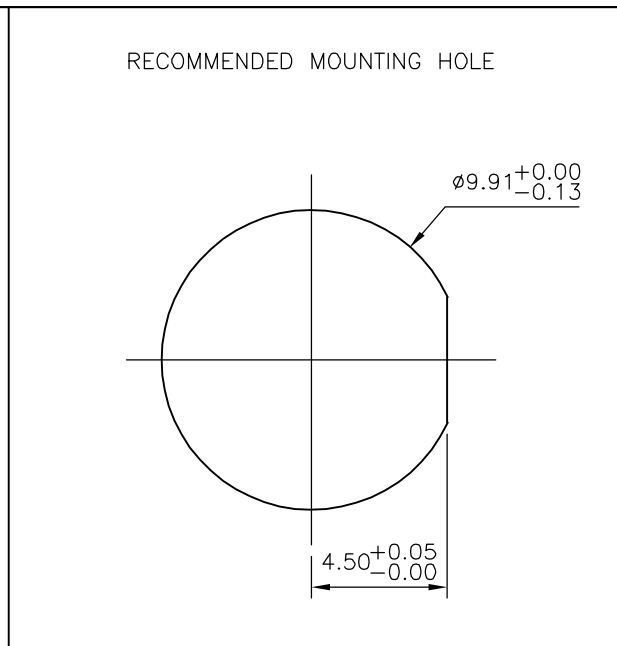
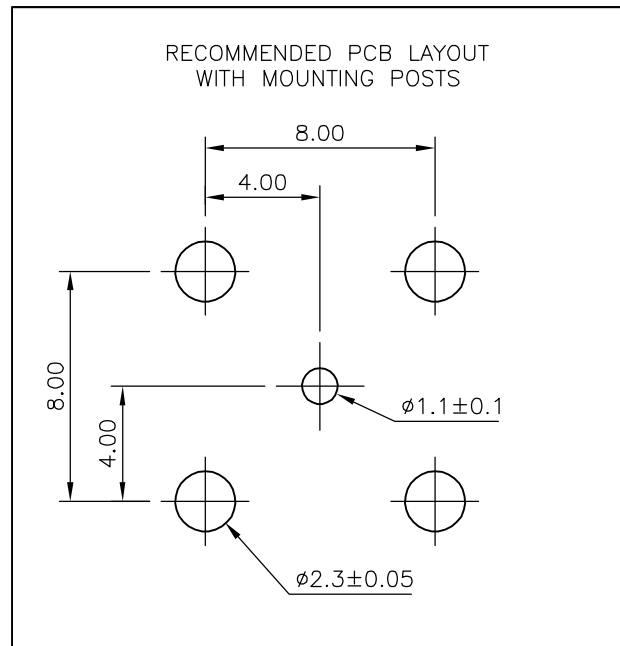
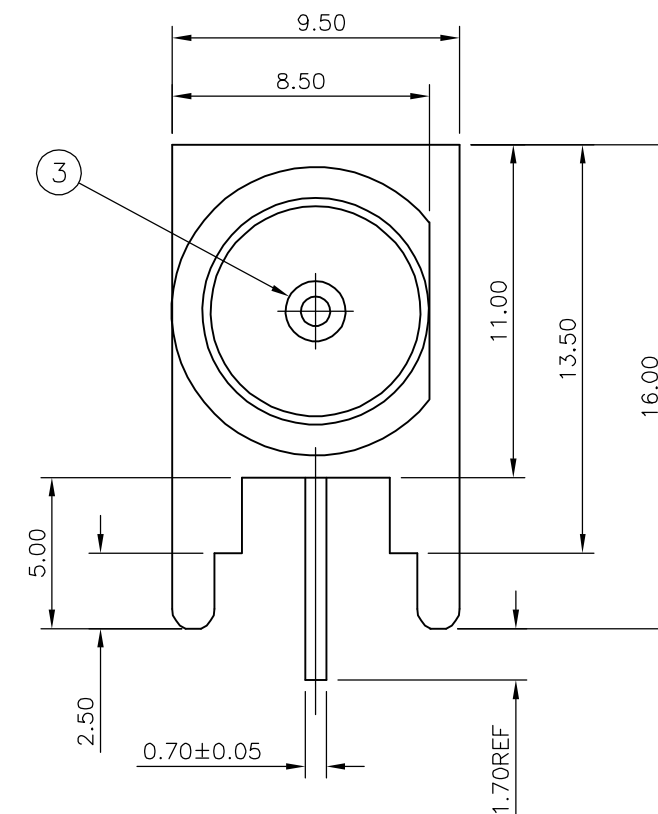
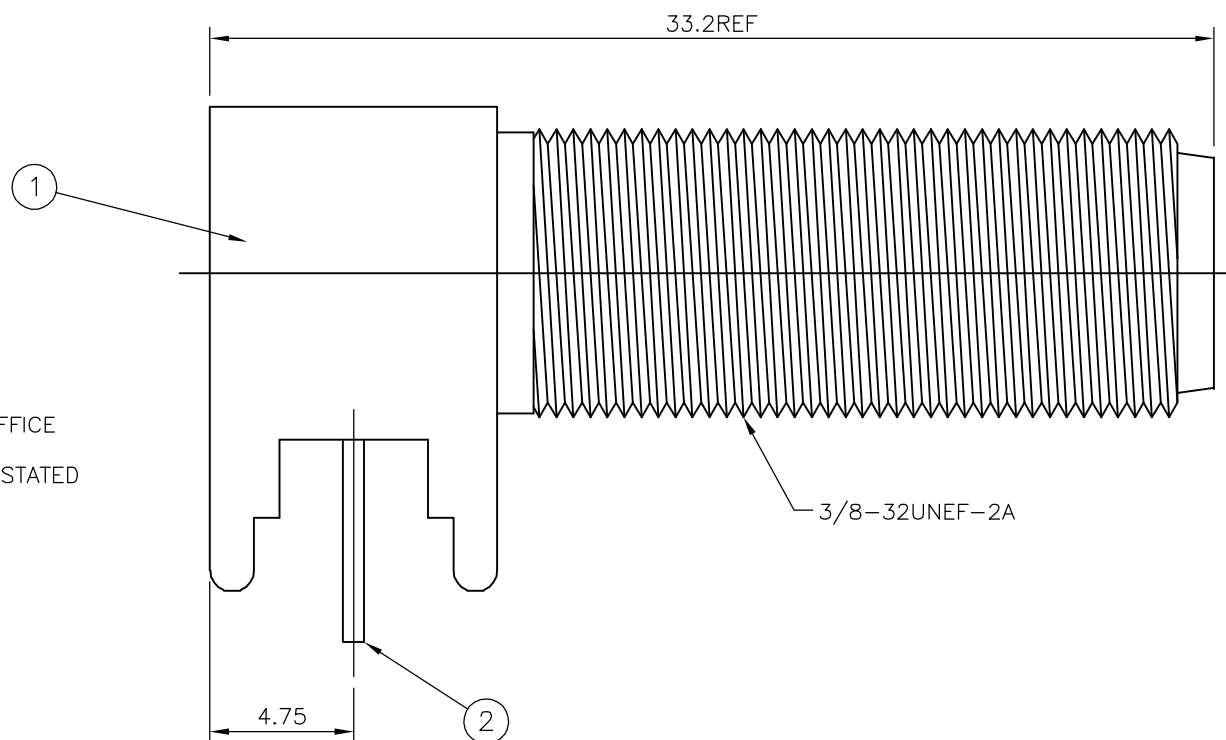
LOC	DIST	REVISIONS					
E	B	P	LTR	DESCRIPTION	DATE	DWN	APVD
		B		EBD0-0381-04	22SEP04	JMS	FWK

NOTES

- ① 100 TRAY PACK IN ACCORDANCE WITH AMP SPEC 107-3275
- ② SINGLE PACK IN ACCORDANCE WITH AMP SPEC 107-3275
- ③ 1.27µm TIN PLATING OVER 0.76µm Cu PLATING
- ④ 1.27µm Ni PLATING OVER 0.76µm Cu PLATING
- 5. CHARACTERISTICS

FREQUENCY RANGE:	DC-2GHz
NOMINAL IMPEDANCE:	75 OHMS
DIELECTRIC WITHSTAND VOLTAGE:	500V RMS
VSWR	1.30:1 @ 2GHz
TEMPERATURE RANGE	-55°C TO +85°C
- 6. MECHANICAL CHARACTERISTICS

DURABILITY:	50 CYCLES
-------------	-----------
- 7. FOR TECHNICAL DATA REFER TO YOUR LOCAL TYCO ELECTRONICS SALES OFFICE
- 8. ALL DIMENSIONS ARE NOMINAL FOR REFERENCE ONLY UNLESS OTHERWISE STATED



QTY	UNIT	MATERIAL	DESCRIPTION	ITEM
1	1	POLYETHYLENE	INSULATOR	3
1	1	PHOS BRONZE	CONTACT	2
1	1	ZINC ALLOY	BODY	1
5--1	5--0			

THIS DRAWING IS A CONTROLLED DOCUMENT.		DWN J.SANDWELL 04MAR04		Tyco Electronics Corporation Bideford, UK, EX39 4HE													
DIMENSIONS: mm		CHK S.PARLOW 04MAR04															
TOLERANCES UNLESS OTHERWISE SPECIFIED:		APVD F.WHEELER-KING 04MAR04		NAME F SERIES CONNECTOR ELBOW JACK PCB EXTENDED													
<table border="0"> <tr><td>0 PLC</td><td>± -</td></tr> <tr><td>1 PLC</td><td>± -</td></tr> <tr><td>2 PLC</td><td>± -</td></tr> <tr><td>3 PLC</td><td>± -</td></tr> <tr><td>4 PLC</td><td>± -</td></tr> <tr><td>ANGLES</td><td>± -</td></tr> </table>		0 PLC	± -	1 PLC	± -	2 PLC	± -	3 PLC	± -	4 PLC	± -	ANGLES	± -	PRODUCT SPEC		SIZE A3	
0 PLC	± -																
1 PLC	± -																
2 PLC	± -																
3 PLC	± -																
4 PLC	± -																
ANGLES	± -																
MATERIAL SEE TABLE		FINISH SEE TABLE		CAGE CODE 00779													
		APPLICATION SPEC		DRAWING NO C-1634552													
		WEIGHT -		RESTRICTED TO -													
CUSTOMER DRAWING				SCALE NTS													
				SHEET 1 OF 1													
				REV B													